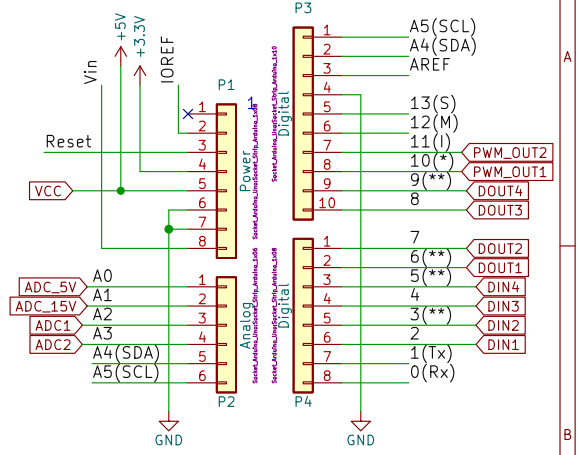
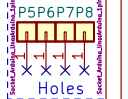


Shield for Arduino that uses the same pin disposition like "Uno" board Rev 3.



KLIMA Limited!

Title: Stacja EXTEND		
Size: A3	Date: 2022-06-30	Rev: 1
KiCad E.D.A. kicad 6.0.4+dfsg-1-bpo11+1		Id: 1/1